

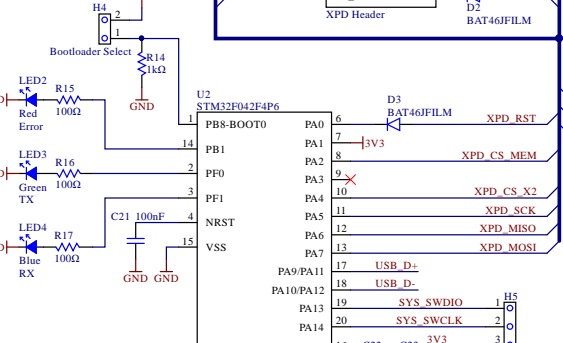
XInC2 Caps

Pin: 1 7,8 17 35 45 67 95 98 50

Pin: 18 34 66 79 99

GND	1	H1	2	15V
GND	3	4	3V3	
CBO	5	6	TMRB	
GND	7	8	GND	
PD0/MISO1	9	10	PD1/MOS1	
PD2/SCK1	11	12	PD3/SEN1	
PA7	13	14	PA6	
PA5	15	16	PA4	
PA3	17	18	PA2	
PA1	19	20	PA0	
PH0/BB0CLK	21	22	PH1/BB00	
PH2/BB01	23	24	PH0/BB1CLK	
PH1/BB10	25	26	PH2/BB11	
GND	27	28	GND	
PE0	29	30	PE1	
PE2	31	32	PE3	
PE4	33	34	PE5	
PE6	35	36	PE7	

XPD_RST	1	H2	2	GND
PC0	3	4	PC1	
PC2	5	6	PC3	
PC4	7	8	PC5	
PC6	9	10	PC7	
PD4/TMRA0	11	12	PD5/TMRA1	
PD6/TMRA2	13	14	PD7/TMRA3	
PJ3/MCLK	15	16	GND	
PJ2/BCLK	17	18	GND	
PJ1/LRCK	19	20	GND	
PJ0/SDIO0	21	22	GND	
PF0/SDIO1	23	24	GND	
PF1/SDIO2	25	26	GND	
GND	27	28	GND	
AN3	29	30	GND	
AN2	31	32	GND	
AN1	33	34	GND	
AN0	35	36	GND	



XInC2 (LQFP package)

