

# Fully differential amplifiers

By Jim Karki

Systems Specialist, High-Speed Amplifiers

## Introduction

Professional audio engineers usually use the term “balanced” to refer to differential signal transmission. This imparts the idea of symmetry, which is very important in differential systems. The driver has balanced outputs, the line has balanced characteristics, and the receiver has balanced inputs.

There are two methods commonly used to manipulate differential signals: electronic and transformer.

1. Electronic methods have advantages such as low cost, small size and weight, and superior frequency response at low frequency and dc.
2. The advantages that transformers offer are excellent common-mode rejection ratio (CMRR), galvanic isolation, no power consumption (efficiencies near 100%), and immunity to very hostile EMC environments.

This article focuses on integrated, fully differential amplifiers for signal conditioning differential signals. Basic operations, such as how to transform single-ended signals into differential signals and how to construct active anti-alias filters, are discussed.

## What is an integrated, fully differential amplifier?

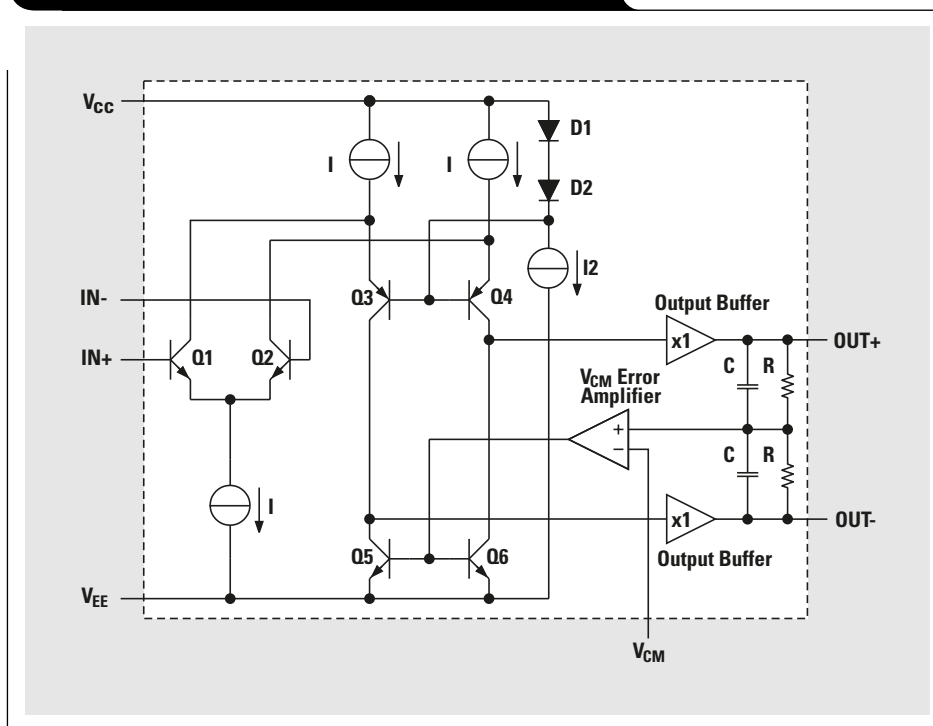
An integrated, fully differential amplifier is very similar in architecture to a standard operational amplifier.

Figure 1 shows a simplified version of an integrated, fully differential amplifier. Q1 and Q2 are the input differential pair. In a standard op amp, output current is taken from only one side of the input differential pair and is used to develop a single-ended output voltage. In a fully differential amplifier, currents from both sides are used to develop voltages at the high-impedance nodes formed at the collectors of Q3/Q5 and Q4/Q6. These voltages are then buffered to the differential outputs OUT+ and OUT-.

For a first-order approximation, voltage common to IN+ and IN- does not produce a change in the current flow through Q1 or Q2 and thus produces no output voltage; it is rejected. The output common-mode voltage is not controlled by the input. The  $V_{CM}$  error amplifier controls the output common-mode voltage by sampling it, comparing it to the voltage at  $V_{CM}$ , and adjusting the internal feedback.

The two complementary amplifier paths share the same input differential pair, their characteristics are very well

Figure 1. Simplified, fully differential amplifier



matched, and the architecture keeps their operating points very close to each other. Therefore, distortion in the amplifiers is also matched, resulting in symmetrical distortion of the differential signal. Symmetrical distortions tend to cancel even-order harmonics. Lab testing shows that the second harmonic levels in a differential output are reduced by approximately 5 dB in the THS4141 at 1 MHz when measured differentially as compared to measuring either single-ended output. The measured level of the third harmonic is unchanged.

### Voltage definitions

To understand how a fully differential amplifier behaves, it is important to understand the voltage definitions that are used to describe the amplifier. Figure 2 shows a block diagram that represents a fully differential amplifier and its input and output voltage definitions.

The voltage difference between the plus and minus inputs is the input differential voltage,  $V_{ID}$ . The average of the two input voltages is the input common-mode voltage,  $V_{IC}$ .

The difference between the voltages at the plus and minus outputs is the output differential voltage,  $V_{OD}$ . The output common-mode voltage,  $V_{OC}$ , is the average of the two output voltages and is controlled by the voltage at  $V_{CM}$ .

$A_f$  is the frequency-dependent differential gain of the amplifier, so that  $V_{OD} = V_{ID} \times A_f$ .

### Increased noise immunity

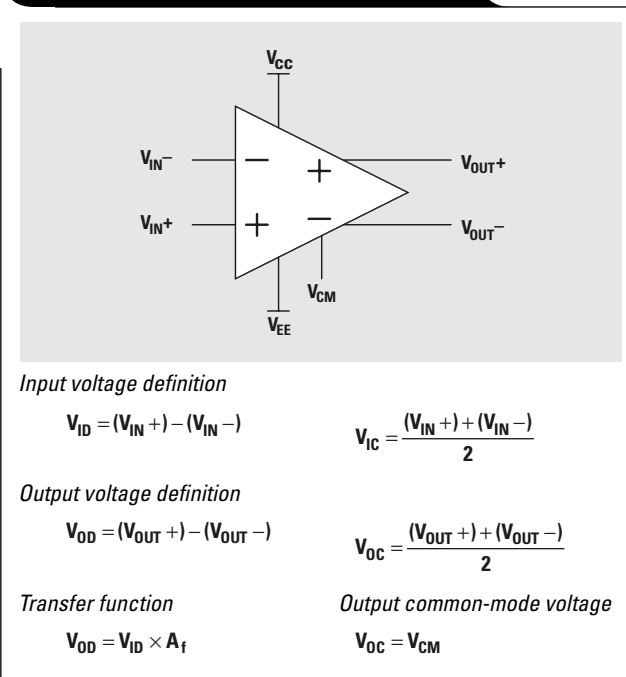
Invariably, when signals are routed from one place to another, noise is coupled into the wiring. In a differential system, keeping the transport wires as close as possible to one another makes the noise coupled into the conductors appear as a common-mode voltage. Noise that is common to the power supplies will also appear as a common-mode voltage. Since the differential amplifier rejects common-mode voltages, the system is more immune to external noise. Figure 3 shows the noise immunity of a fully differential amplifier.

### Increased dynamic range

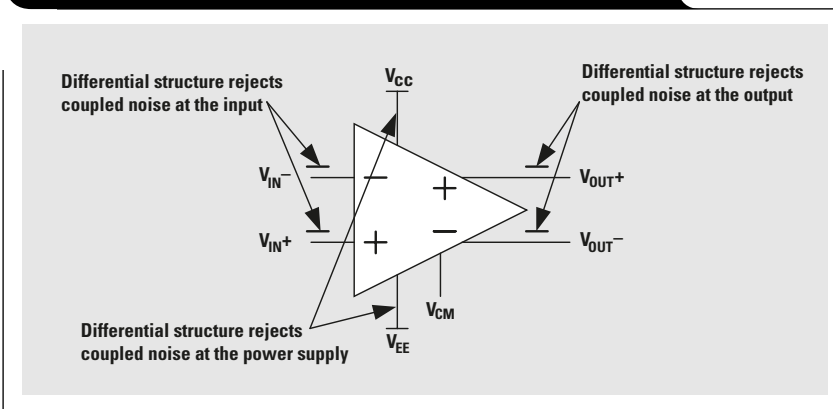
Due to the change in phase between the differential outputs, the dynamic range increases by 2x over a single-ended output with the same voltage swing (see Figure 4).

Continued on next page

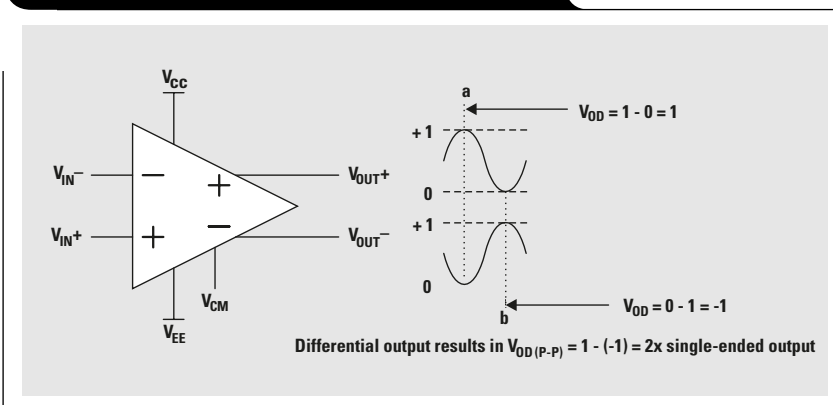
**Figure 2. Fully differential amplifier voltage definitions**



**Figure 3. Fully differential amplifier noise immunity**



**Figure 4. Differential output voltage swing**



Continued from previous page

### Basic circuits

To maintain balance in a fully differential amplifier, symmetrical feedback must be taken from both outputs and applied to both inputs. The two sides form symmetrical inverting amplifiers, and inverting op amp topologies are easily adapted to fully differential amplifiers. Figure 5 shows how to maintain a balanced amplifier by using symmetrical feedback, where the feedback resistors,  $R_F$ , and the input resistors,  $R_G$ , are equal.

It is important to maintain symmetry in the two feedback paths to maintain good CMRR performance. CMRR is directly proportional to the resistor matching error. For example, a 0.1% error results in 60 dB of CMRR. For small variations in feedback due to mismatched resistors, the differential gain of the amplifier is approximately the average gain of the two sides. Output balance is maintained by the  $V_{CM}$  error amplifier.

In the past, generation of differential signals has been cumbersome. Different means have been used, requiring as many as three amplifiers and dc blocking capacitors to set the output common-mode voltage. The integrated, fully differential amplifier provides a more elegant solution. Figure 6 shows an example of converting single-ended signals to differential signals.

### Active anti-alias filtering

A major application for fully differential amplifiers is signal conditioning ADC inputs. Low-pass filters are needed to keep high-frequency noise from aliasing into the frequency band of interest. Multiple feedback (MFB) is a good topology that is adapted easily to a fully differential amplifier. An MFB circuit is used to realize one complex pole pair in the transfer function of a second-order low-pass filter. An example is shown in Figure 7.

Figure 5. Amplifying differential signals

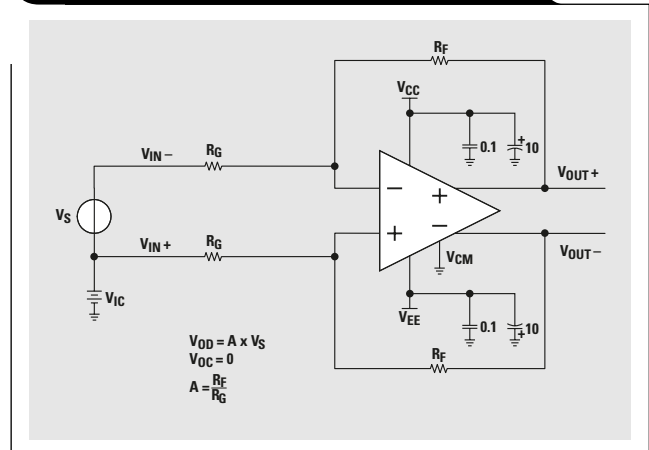


Figure 6. Converting single-ended signals to differential signals

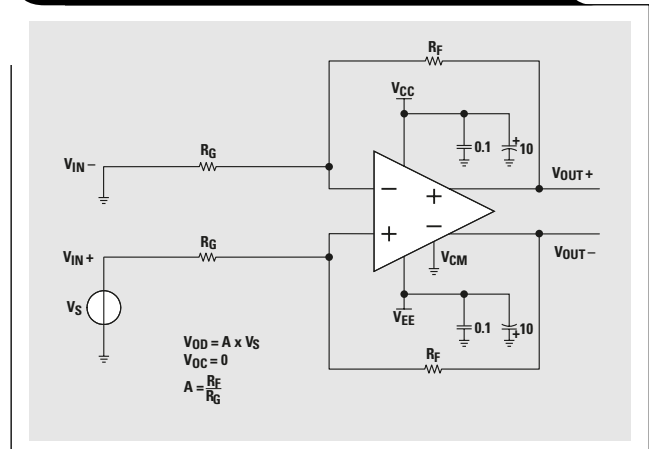
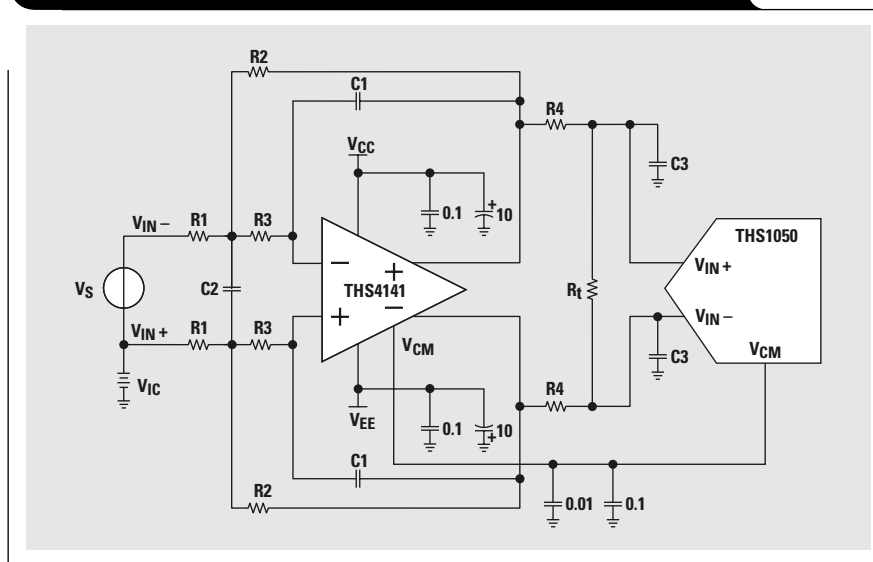


Figure 7. Low-pass, fully differential filter driving an ADC



The transfer function for this filter circuit is:

$$H_d(f) = \left[ \frac{K}{-\left(\frac{f}{\text{FSF} \times f_C}\right)^2 + \frac{1}{Q} \frac{jf}{\text{FSF} \times f_C} + 1} \right] \times \left( \frac{\frac{R_t}{2R_4 + R_t}}{1 + \frac{j2\pi f R_4 R_t C_3}{2R_4 + R_t}} \right),$$

where  $K = \frac{R_2}{R_1}$ ,  $\text{FSF} \times f_C = \frac{1}{2\pi\sqrt{2 \times R_2 R_3 C_1 C_2}}$ , and

$$Q = \frac{\sqrt{2 \times R_2 R_3 C_1 C_2}}{R_3 C_1 + R_2 C_1 + K R_3 C_1}.$$

K sets the pass-band gain,  $f_C$  is the cut-off frequency for the filter, FSF is a frequency scaling factor, and Q is the quality factor.

$$\text{FSF} = \sqrt{\text{Re}^2 + |\text{Im}|^2}, \quad \text{and } Q = \frac{\sqrt{\text{Re}^2 + |\text{Im}|^2}}{2\text{Re}},$$

where Re is the real part, and Im is the imaginary part of the complex pole pair. Setting  $R_2=R$ ,  $R_3=mR$ ,  $C_1=C$ , and  $C_2=nC$  results in:

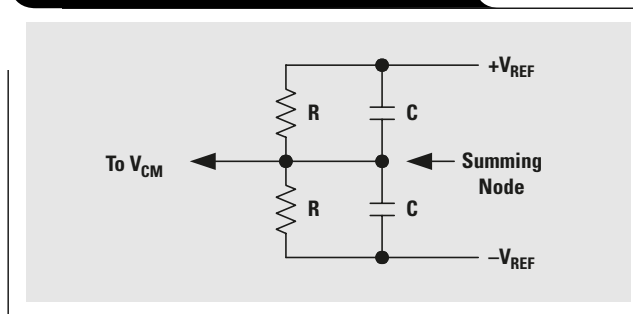
$$\text{FSF} \times f_C = \frac{1}{2\pi RC\sqrt{2 \times mn}}, \quad \text{and } Q = \frac{\sqrt{2 \times mn}}{1 + m(1 - K)}.$$

Start by determining the ratios, m and n, required for the gain and Q of the filter type being designed, then select C, and calculate R for the desired  $f_C$ .

The combination of  $R_4$ ,  $R_t$ , and  $C_3$  has multiple effects.  $R_4$  isolates the amplifier output from the input of the ADC.  $R_4$  and  $R_t$  provide for double termination of the transmission line between the amplifier and the ADC, and form a voltage divider.  $C_3$  helps absorb charge injection from the ADC's input.  $R_4$  and  $C_3$  form a real pole that can be used to make a third-order filter, in conjunction with the complex pole pair from the MFB stage, or it can simply be placed above the frequencies of interest.

The proper  $V_{CM}$  is provided as an output by some ADCs with differential inputs. Typically, all that needs to be done is to provide bypass capacitors—0.1  $\mu\text{F}$  and/or 0.01  $\mu\text{F}$ . If

Figure 8. Typical  $V_{CM}$  error source



not provided,  $V_{CM}$  can be generated from the ADC's reference voltages as shown in Figure 8. The voltage at the summing node will be the midpoint between the reference voltage and will center  $V_{OC}$  in the middle of the ADC's input range.

Each power pin should have a 6.8- $\mu\text{F}$  to 10- $\mu\text{F}$  tantalum capacitor in parallel with a 0.01- $\mu\text{F}$  to 0.1- $\mu\text{F}$  ceramic capacitor located very close by. Figure 7 shows 10- $\mu\text{F}$  and 0.1- $\mu\text{F}$  power-supply bypass capacitors.

## Conclusion

Integrated, fully differential amplifiers are very similar to standard single-ended op amps except that output is taken from both sides of the input differential pair to produce a differential output.

Differential systems provide increased immunity to external noise, reduced even-order harmonics, and twice the dynamic range when compared to single-ended systems.

Inverting amplifier topologies are adapted easily to fully differential amplifiers by implementing two symmetric feedback paths.

Integrated, fully differential amplifiers are well-suited for driving differential ADC inputs. They provide an easy means for anti-alias filtering, and the required common-mode voltage is set easily via the  $V_{CM}$  input.

## Related Web sites

[amplifier.ti.com](http://amplifier.ti.com)

[www.ti.com/sc/docs/products/analog/th4141.html](http://www.ti.com/sc/docs/products/analog/th4141.html)

## IMPORTANT NOTICE

Texas Instruments Incorporated and its subsidiaries (TI) reserve the right to make corrections, modifications, enhancements, improvements, and other changes to its products and services at any time and to discontinue any product or service without notice. Customers should obtain the latest relevant information before placing orders and should verify that such information is current and complete. All products are sold subject to TI's terms and conditions of sale supplied at the time of order acknowledgment.

TI warrants performance of its hardware products to the specifications applicable at the time of sale in accordance with TI's standard warranty. Testing and other quality control techniques are used to the extent TI deems necessary to support this warranty. Except where mandated by government requirements, testing of all parameters of each product is not necessarily performed.

TI assumes no liability for applications assistance or customer product design. Customers are responsible for their products and applications using TI components. To minimize the risks associated with customer products and applications, customers should provide adequate design and operating safeguards.

TI does not warrant or represent that any license, either express or implied, is granted under any TI patent right, copyright, mask work right, or other TI intellectual property right relating to any combination, machine, or process in which TI products or services are used. Information published by TI regarding third-party products or services does not constitute a license from TI to use such products or services or a warranty or endorsement thereof. Use of such information may require a license from a third party under the patents or other intellectual property of the third party, or a license from TI under the patents or other intellectual property of TI.

Reproduction of information in TI data books or data sheets is permissible only if reproduction is without alteration and is accompanied by all associated warranties, conditions, limitations, and notices. Reproduction of this information with alteration is an unfair and deceptive business practice. TI is not responsible or liable for such altered documentation.

Resale of TI products or services with statements different from or beyond the parameters stated by TI for that product or service voids all express and any implied warranties for the associated TI product or service and is an unfair and deceptive business practice. TI is not responsible or liable for any such statements.

Following are URLs where you can obtain information on other Texas Instruments products and application solutions:

### Products

Amplifiers	<a href="http://amplifier.ti.com">amplifier.ti.com</a>
Data Converters	<a href="http://dataconverter.ti.com">dataconverter.ti.com</a>
DSP	<a href="http://dsp.ti.com">dsp.ti.com</a>
Interface	<a href="http://interface.ti.com">interface.ti.com</a>
Logic	<a href="http://logic.ti.com">logic.ti.com</a>
Power Mgmt	<a href="http://power.ti.com">power.ti.com</a>
Microcontrollers	<a href="http://microcontroller.ti.com">microcontroller.ti.com</a>

### Applications

Audio	<a href="http://www.ti.com/audio">www.ti.com/audio</a>
Automotive	<a href="http://www.ti.com/automotive">www.ti.com/automotive</a>
Broadband	<a href="http://www.ti.com/broadband">www.ti.com/broadband</a>
Digital control	<a href="http://www.ti.com/digitalcontrol">www.ti.com/digitalcontrol</a>
Military	<a href="http://www.ti.com/military">www.ti.com/military</a>
Optical Networking	<a href="http://www.ti.com/opticalnetwork">www.ti.com/opticalnetwork</a>
Security	<a href="http://www.ti.com/security">www.ti.com/security</a>
Telephony	<a href="http://www.ti.com/telephony">www.ti.com/telephony</a>
Video & Imaging	<a href="http://www.ti.com/video">www.ti.com/video</a>
Wireless	<a href="http://www.ti.com/wireless">www.ti.com/wireless</a>

## TI Worldwide Technical Support

### Internet

**TI Semiconductor Product Information Center Home Page**  
[support.ti.com](http://support.ti.com)

**TI Semiconductor KnowledgeBase Home Page**  
[support.ti.com/sc/knowledgebase](http://support.ti.com/sc/knowledgebase)

### Product Information Centers

#### Americas

Phone	+1(972) 644-5580	Fax	+1(972) 927-6377
Internet/Email	<a href="http://support.ti.com/sc/pic/americas.htm">support.ti.com/sc/pic/americas.htm</a>		

#### Europe, Middle East, and Africa

Phone			
Belgium (English)	+32 (0) 27 45 54 32	Netherlands (English)	+31 (0) 546 87 95 45
Finland (English)	+358 (0) 9 25173948	Russia	+7 (0) 95 7850415
France	+33 (0) 1 30 70 11 64	Spain	+34 902 35 40 28
Germany	+49 (0) 8161 80 33 11	Sweden (English)	+46 (0) 8587 555 22
Israel (English)	1800 949 0107	United Kingdom	+44 (0) 1604 66 33 99
Italy	800 79 11 37		
Fax	+(49) (0) 8161 80 2045		
Internet	<a href="http://support.ti.com/sc/pic/euro.htm">support.ti.com/sc/pic/euro.htm</a>		

#### Japan

Fax			
International	+81-3-3344-5317	Domestic	0120-81-0036
Internet/Email			
International	<a href="http://support.ti.com/sc/pic/japan.htm">support.ti.com/sc/pic/japan.htm</a>		
Domestic	<a href="http://www.tij.co.jp/pic">www.tij.co.jp/pic</a>		

#### Asia

Phone			
International	+886-2-23786800		
Domestic	Toll-Free Number		
Australia	1-800-999-084	New Zealand	0800-446-934
China	800-820-8682	Philippines	1-800-765-7404
Hong Kong	800-96-5941	Singapore	800-886-1028
Indonesia	001-803-8861-1006	Taiwan	0800-006800
Korea	080-551-2804	Thailand	001-800-886-0010
Malaysia	1-800-80-3973		
Fax	886-2-2378-6808	Email	<a href="mailto:tiasia@ti.com">tiasia@ti.com</a>
Internet	<a href="http://support.ti.com/sc/pic/asia.htm">support.ti.com/sc/pic/asia.htm</a>		<a href="mailto:ti-china@ti.com">ti-china@ti.com</a>

C011905

**Safe Harbor Statement:** This publication may contain forward-looking statements that involve a number of risks and uncertainties. These "forward-looking statements" are intended to qualify for the safe harbor from liability established by the Private Securities Litigation Reform Act of 1995. These forward-looking statements generally can be identified by phrases such as "TI or its management believes," "expects," "anticipates," "foresees," "forecasts," "estimates" or other words or phrases of similar import. Similarly, such statements herein that describe the company's products, business strategy, outlook, objectives, plans, intentions or goals also are forward-looking statements. All such forward-looking statements are subject to certain risks and uncertainties that could cause actual results to differ materially from those in forward-looking statements. Please refer to TI's most recent Form 10-K for more information on the risks and uncertainties that could materially affect future results of operations. We disclaim any intention or obligation to update any forward-looking statements as a result of developments occurring after the date of this publication.

**Trademarks:** All trademarks are the property of their respective owners.

Mailing Address: Texas Instruments  
Post Office Box 655303  
Dallas, Texas 75265

© 2005 Texas Instruments Incorporated